

MOUNTING INFORMATION

Read all instructions before proceeding.

- 1). For proper light selection, positioning and configuration, refer to A.B.Y.C. Standard A-16*, the '72 COLREGS*, and the U.S. Inland Rules*.
- 2). These bases are designed to be mounted on a horizontal surface.
- 3). Draw a 6" long reference line through the center of the selected mounting location and parallel to the centerline of the boat.
- 4). Cut out the mounting template. Place it on the mounting surface such that the reference line (drawn above) is directly underneath the reference line marked on the template.
- 5). Drill indicated holes through the template to accommodate #8 oval head mounting screws and socket as required.
- 6). Attach supply connections to the light, making sure to wire in accordance with both A.B.Y.C. Standard E-11* and the U.S. Coast Guard Safety Standards for Boat Electrical Systems (33 CFR 183)*.
- 7). Mount the base in accordance with the template.
- 8). 1059P00DP Setup for Operation: As pole engages with base, make sure alignment screw in pole slides into the notch in the base. Push pole until it engages the electrical connector and lock by rotating the locking collar clockwise.

* The above referenced standards can be obtained from:

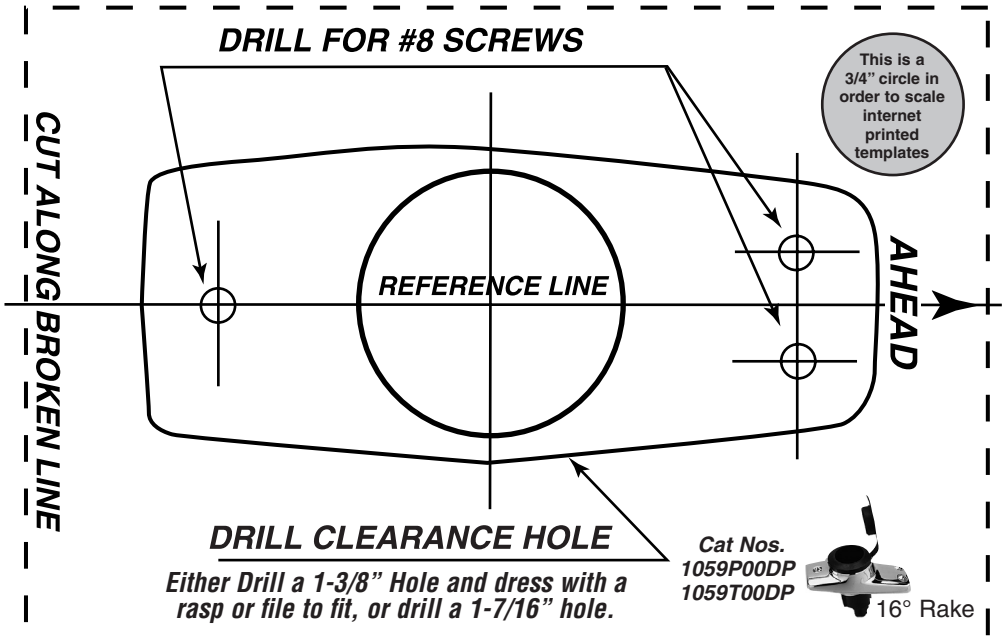
- | | |
|--|--|
| (1) American Boat & Yacht Council, Inc.
613 Third Street, Suite 10
Annapolis, MD 21403 | (2) U.S. Coast Guard
Washington D.C. 20593
(or your local C.G. Office) |
|--|--|

8/22
1059INS1

PERKO, Inc.
16490 N.W. 13th Avenue
Miami, FL 33169-5707
www.perko.com

MOUNTING TEMPLATE

DRILL FOR #8 SCREWS



DRILL CLEARANCE HOLE
Either Drill a 1-3/8" Hole and dress with a rasp or file to fit, or drill a 1-7/16" hole.

Cat Nos.
1059P00DP
1059T00DP



16° Rake